

# PRODUCT ID: 52610

## Switch

### MODEL

SG3 DPDT/12VDC

### DIMENSIONS

4.5" H x 2.75" W x 1" D (est. 1.241 lbs)

### CONSTRUCTION

**Finish:** Switch plate brushed stainless steel

**Switch:** Switch with indicator lights

**Switch plate:** Stamped stainless steel pre-punched for switch(es) and indicator light(s)

### ELECTRICAL

**Input Voltage:** 12VDC

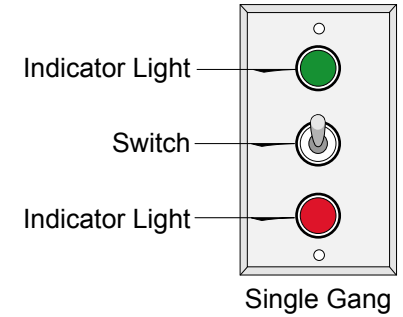
**Signal-Tech**  
4985 Pittsburgh Ave.  
Erie, PA 16509  
Phone: (877) 547-9900  
Fax: (814) 835-2300  
Email: sales@signal-tech.com  
Website: www.signal-tech.com



## Product View

NOTE: Sign image may not exactly represent the finished product. For illustration purposes only.

### Front View



### Schematic View

