

## PRODUCT ID: 47949

### Universal Mount

#### MODEL

UNI-TCL-PHX-SBL-TCIL

#### DIMENSIONS

2" H x 4" W x 1.5" D (est. 0.323 lbs)

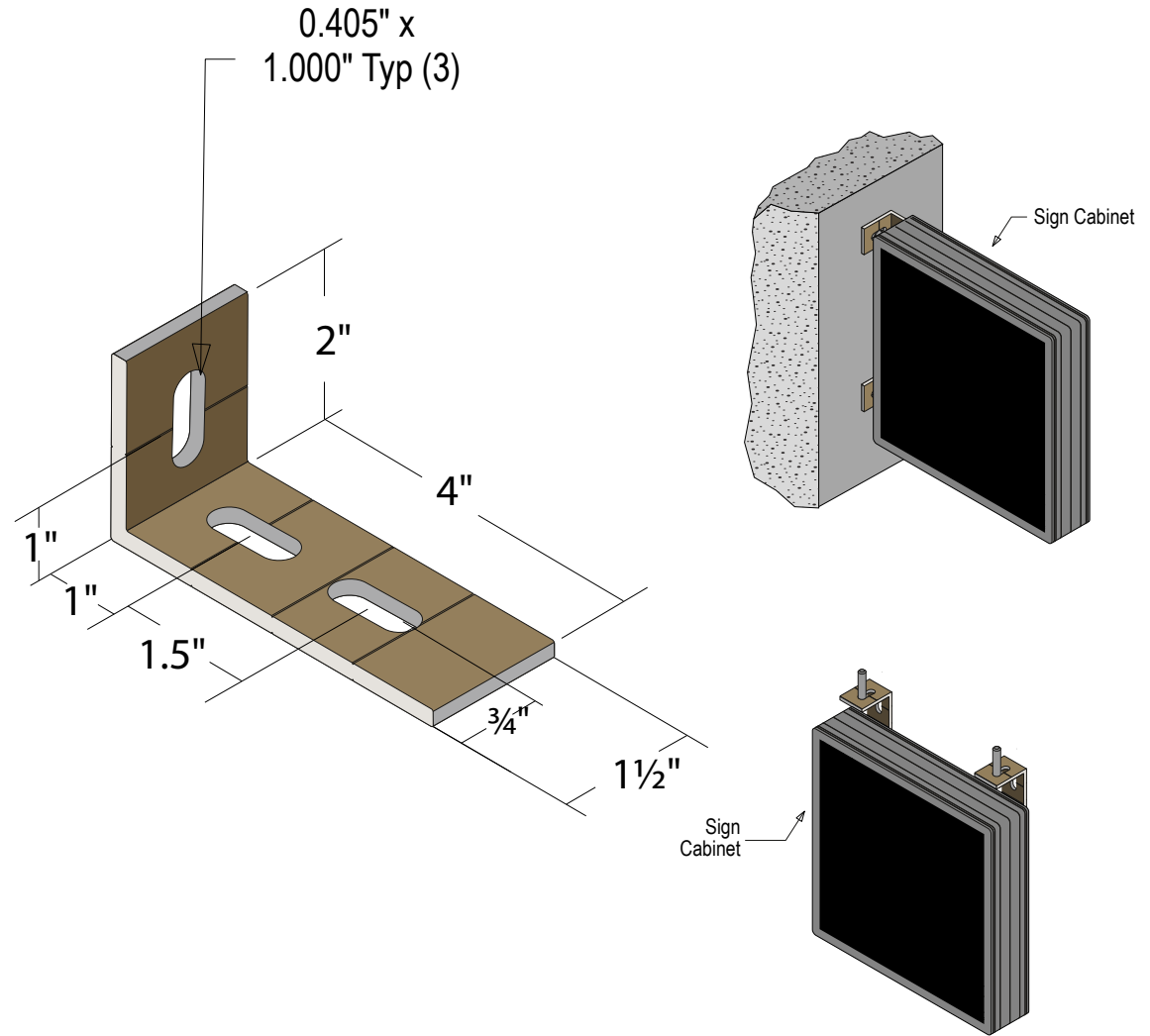
#### CONSTRUCTION

Finish: Duranodic Bronze

Material: 3/16" thick aluminum L-shaped bracket, pre-drilled for attachment.

## Product View

NOTE: Sign image may not exactly represent the finished product. For illustration purposes only.



**Signal-Tech**  
4985 Pittsburgh Ave.  
Erie, PA 16509  
Phone: (877) 547-9900  
Fax: (814) 835-2300  
Email: [sales@signal-tech.com](mailto:sales@signal-tech.com)  
Website: [www.signal-tech.com](http://www.signal-tech.com)

**Signal-Tech**