

PRODUCT ID: 30947

Switch

MODEL

DG33 SPDT/12VDC

DIMENSIONS

4.5" H x 4.5" W x 1" D (est. 1 lbs)

CONSTRUCTION

Finish: Switch plate brushed stainless steel

Switch: Switch with indicator lights

Switch plate: Stamped stainless steel pre-punched for switch(es) and indicator light(s)

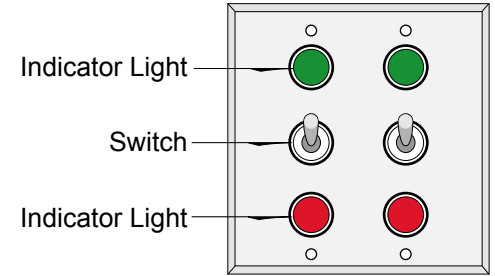
ELECTRICAL

Input Voltage: 12VDC

Product View

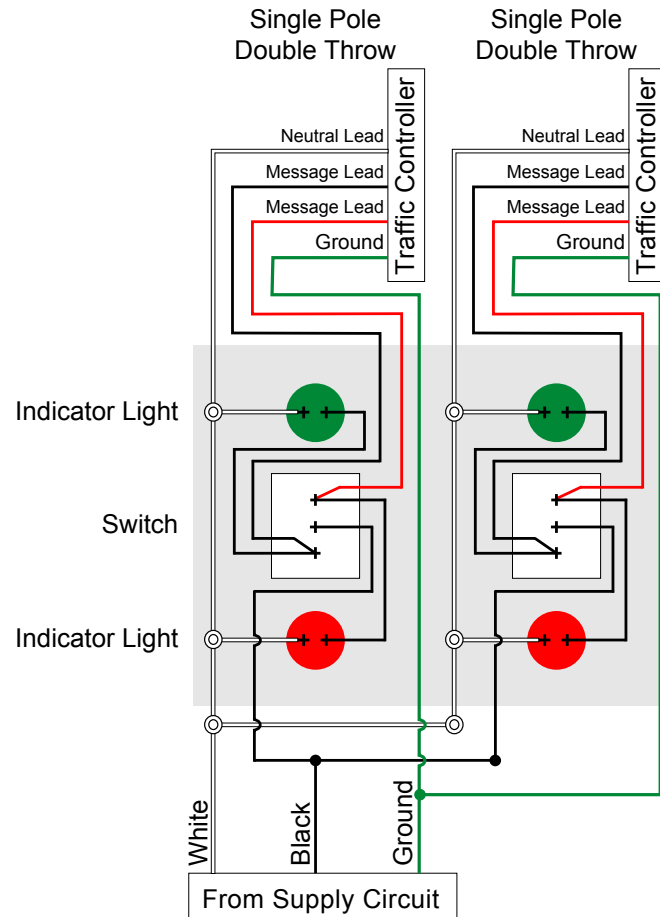
NOTE: Sign image may not exactly represent the finished product. For illustration purposes only.

Front View



Double Gang

Schematic View



Signal-Tech
4985 Pittsburgh Ave.
Erie, PA 16509
Phone: (877) 547-9900
Fax: (814) 835-2300
Email: sales@signal-tech.com
Website: www.signal-tech.com

