

## PRODUCT ID: 28589

### Post

#### MODEL

P4X4D90B

#### DIMENSIONS

90" H x 12" W x 12" D (est. 40.96 lbs)

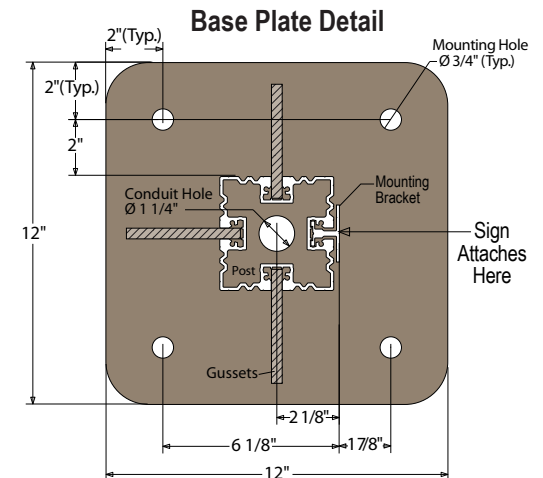
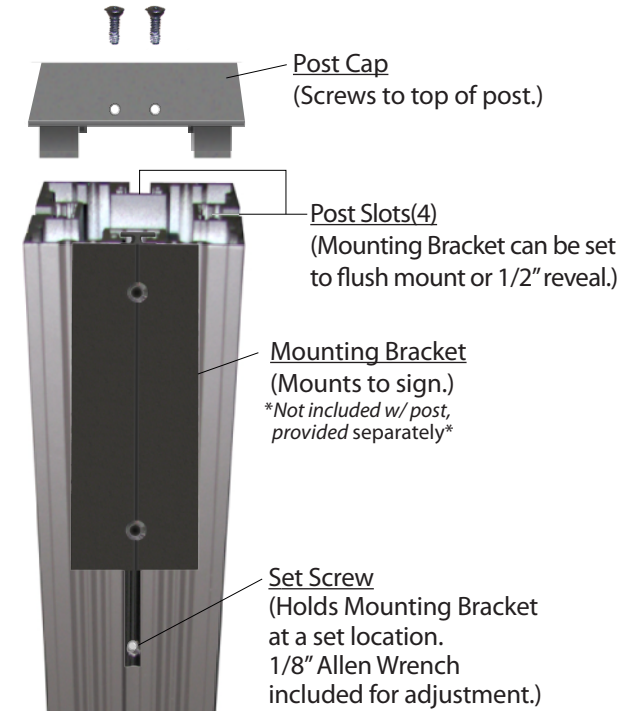
#### CONSTRUCTION

Finish: Duranodic Bronze

Material: 4" x 4" fluted extruded aluminum post (6063-T6) with a sign mounting channel on each side, one end cap and 12" sq. welded base plate. Base plate is a 3/8" thick aluminum plate with pre-drilled anchoring holes and 4-4" high welded gussets.

## Product View

NOTE: Sign image may not exactly represent the finished product. For illustration purposes only.



**Signal-Tech**  
4985 Pittsburgh Ave.  
Erie, PA 16509  
Phone: (877) 547-9900  
Fax: (814) 835-2300  
Email: sales@signal-tech.com  
Website: www.signal-tech.com

**Signal-Tech**